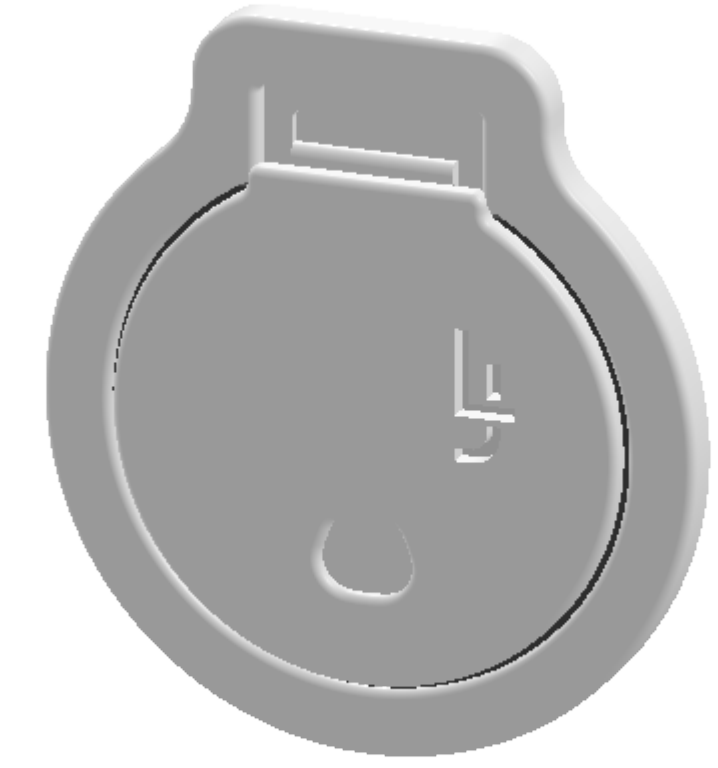
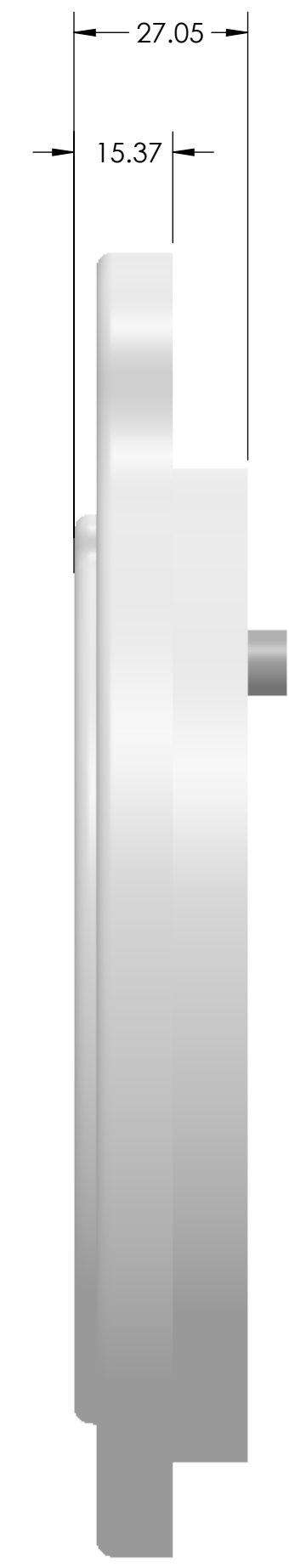
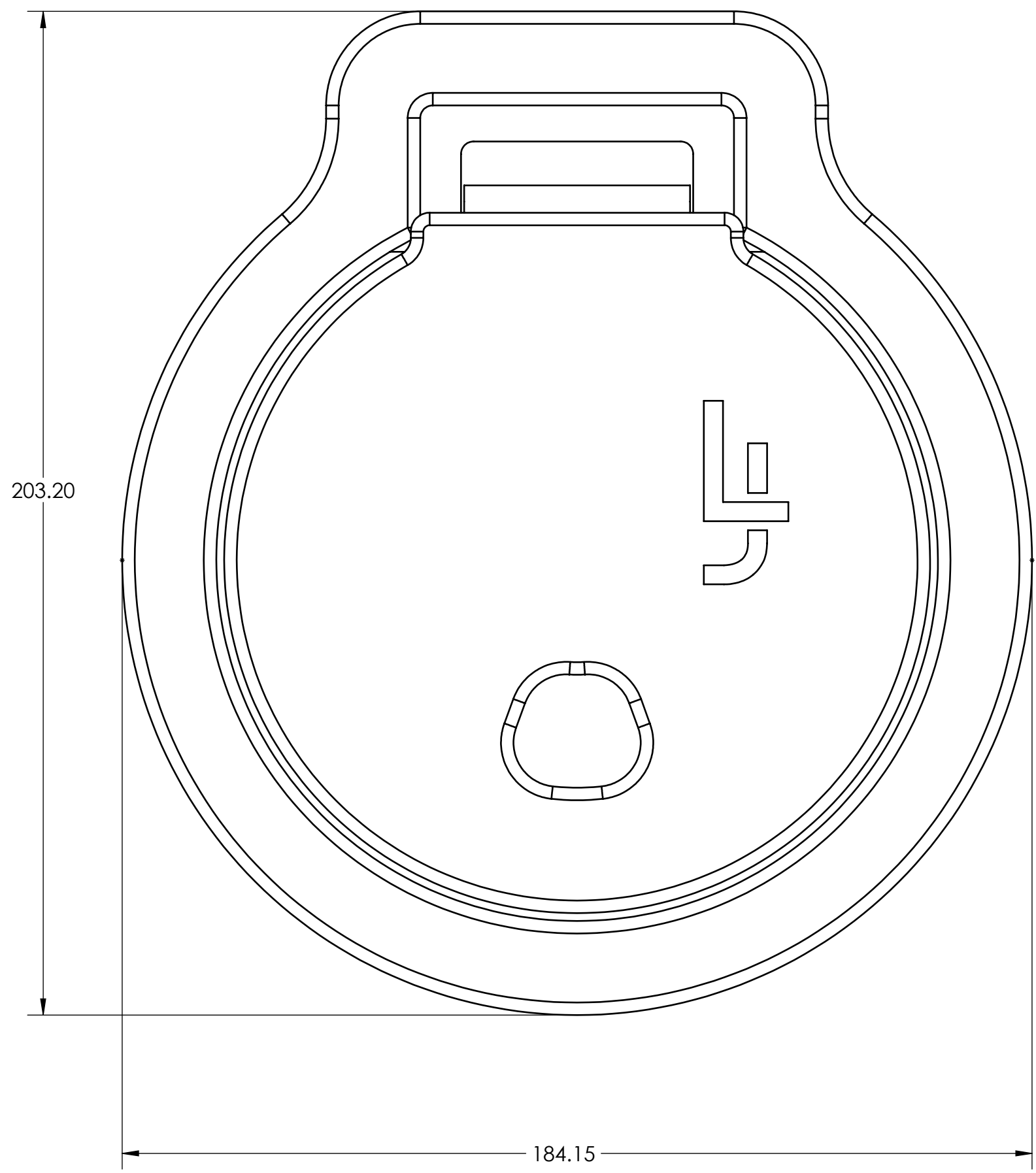


Lift Port 2.0



SPECIFICATIONS

VOLTAGE: 12V
CONNECTION: CAT5

PROPRIETARY AND CONFIDENTIAL
THE INFORMATION CONTAINED IN THIS DRAWING IS THE SOLE PROPERTY OF **LAUNDRY JET**. ANY REPRODUCTION IN PART OR AS A WHOLE WITHOUT THE WRITTEN PERMISSION OF **LAUNDRY JET** IS PROHIBITED.

UNLESS OTHERWISE SPECIFIED:		NAME	DATE
DIMENSIONS ARE IN MILLIMETRES	DRAWN	CW	1.16.23
TOLERANCES:	CHECKED	DH	1.16.23
FRACTIONAL ±	ENG APPR.	DH	1.16.23
ANGULAR: MACH ± BEND ±	MFG APPR.		
TWO PLACE DECIMAL ±	Q.A.		
THREE PLACE DECIMAL ±	CUSTOMER:		

LAUNDRY JET

TITLE: **Lift Port 2.0 Assembly**

SIZE **A** DWG. NO. LJ-Lift 2.0 REV

SCALE: 1:2 WEIGHT: SHEET 1 OF 1

DO NOT SCALE DRAWING